

DEMO AREA

get noticed...

33RD NATIONAL

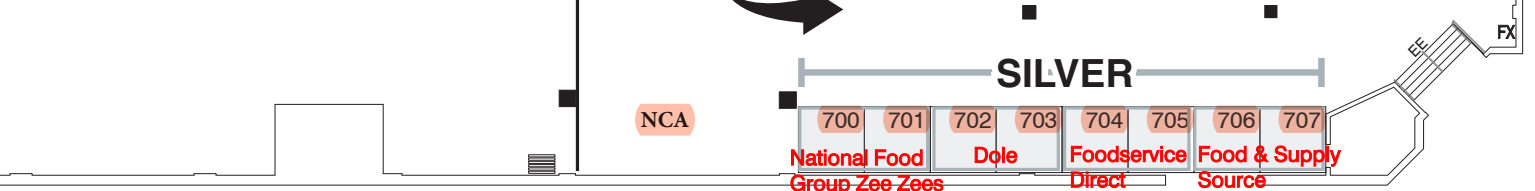
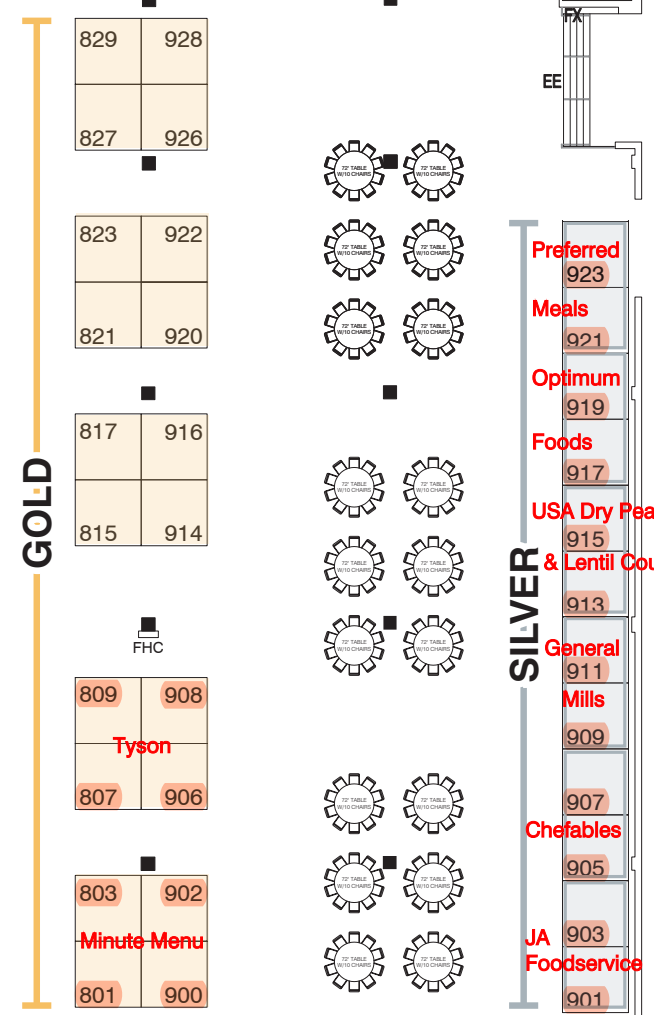
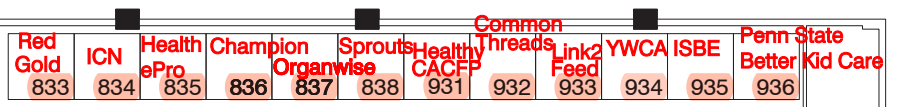
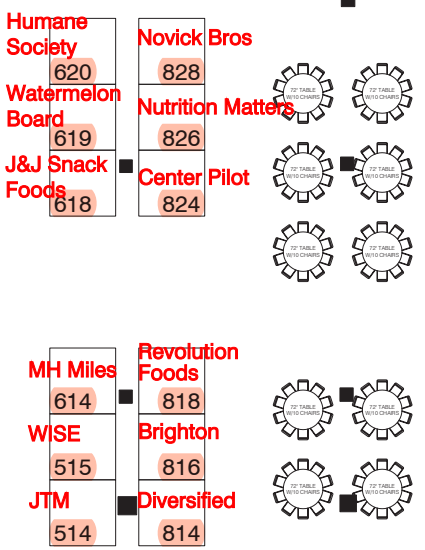
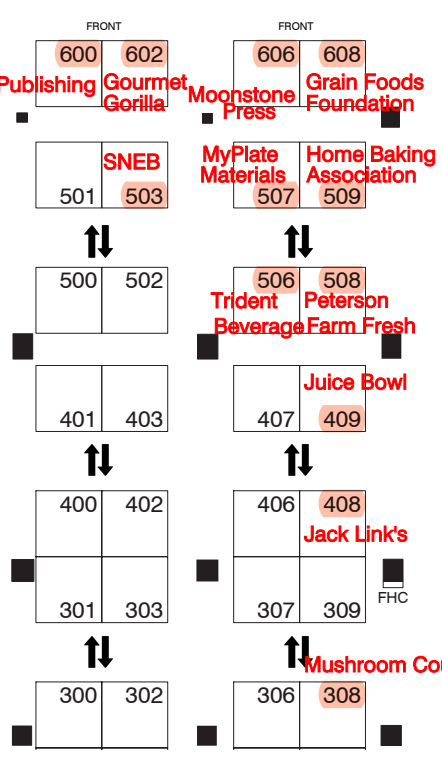
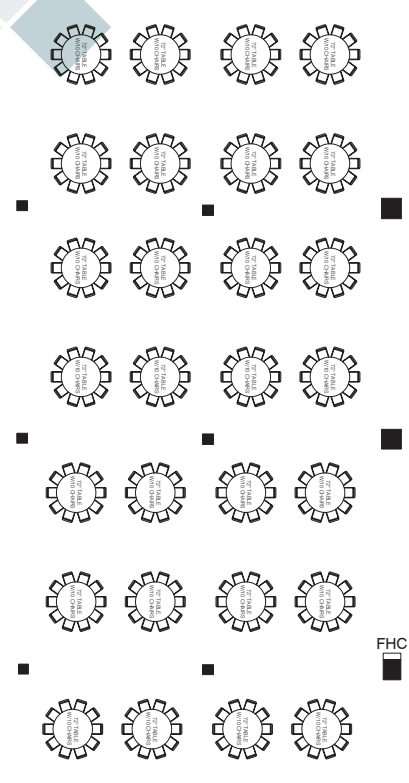
Child Nutrition Conference

HYATT REGENCY CHICAGO | APRIL 23-25, 2019

2019 Sponsor & Exhibitor Opportunities



Exhibitor Floorplan



Questions? Contact us today:

Email: conference@cacfp.org
Alexia Thex, Partnership Manager, 512-987-1459
Elan Patterson, Conference Coordinator, 512-688-0997

